

New PROTEGO® Flame Arrester Unit

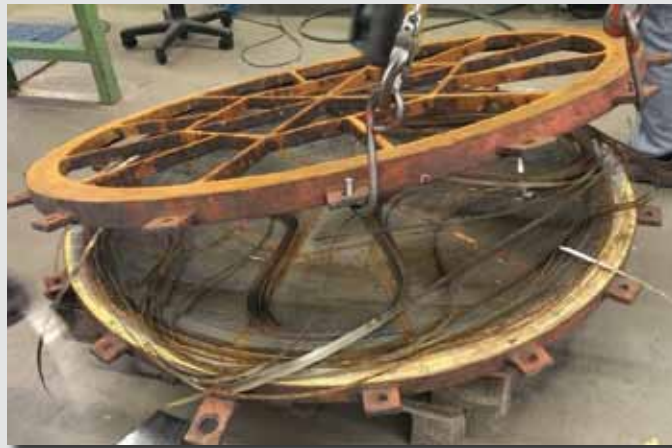
with ultra-maintenance-friendly design

No more damaged or misaligned FLAMEFILTER® discs during assembly or maintenance.

For applications where more frequent maintenance of FLAMEFILTER® is required (e.g. heavy contamination caused by polymerization, crystallization) or IIC applications.

Challenge

FLAMEFILTER® broken during disassembly



Solution



Wider gap between the FLAMEFILTER® and cage combined with axial sealing and strengthening of the FLAMEFILTER® with a solid external ring



for safety and environment

Cost reduction through faster and safer maintenance

Retrofitting of installed PROTEGO® Flame Arresters and fitting is possible at any time:

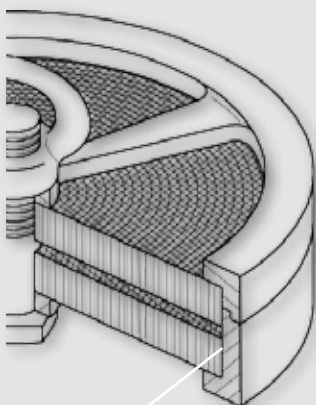
- **without** change of approval!
- **without** change of face-to-face dimensions!
- **without** change of volume flow!

The innovative design provides a wider gap between the FLAMEFILTER® and the cage without affecting safety and facilitates removal of the FLAMEFILTER® discs.

Benefits

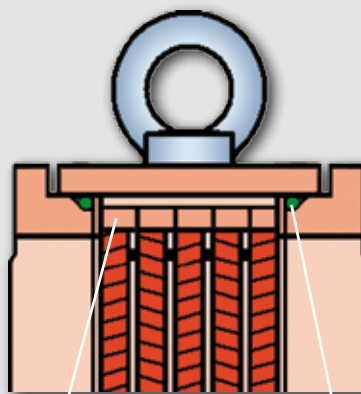
- The wider marginal gap facilitates removal of the FLAMEFILTER®.
- Use of gaskets (O-rings) as anti-pollution barrier between cage and FLAMEFILTER®.
- Improved stability of FLAMMENFILTER® through strong external rings and spot-welded intermediate layers.
- Less time required for maintenance, i.e. reduced downtime of equipment.
- Maintenance of all diameters by operator possible.
- Extra costs for ultra-maintenance-friendly Flame Arresters will be recovered within a short service period.
- Service by operator now possible also for larger diameters.

Conventional design



Narrow gap can make disassembly and assembly of FLAMEFILTER® difficult.

Maintenance-friendly design



FLAMEFILTER® and O-rings prevent contamination and an explosive atmosphere.

Our PROTEGO® Team will be pleased to advise you.

Braunschweiger Flammenfilter GmbH

Industriestrasse 11
D-38110 Braunschweig
phone: +49 (0) 5307 / 809-0
fax: +49 (0) 5307 / 78 24
email: office@protego.com

web: www.protego.com



for safety and environment

Video

Watch "PROTEGO® Flame Arrester Unit in unique maintenance friendly design" on:

www.protego.com/de/products/downloads.html

→ Video