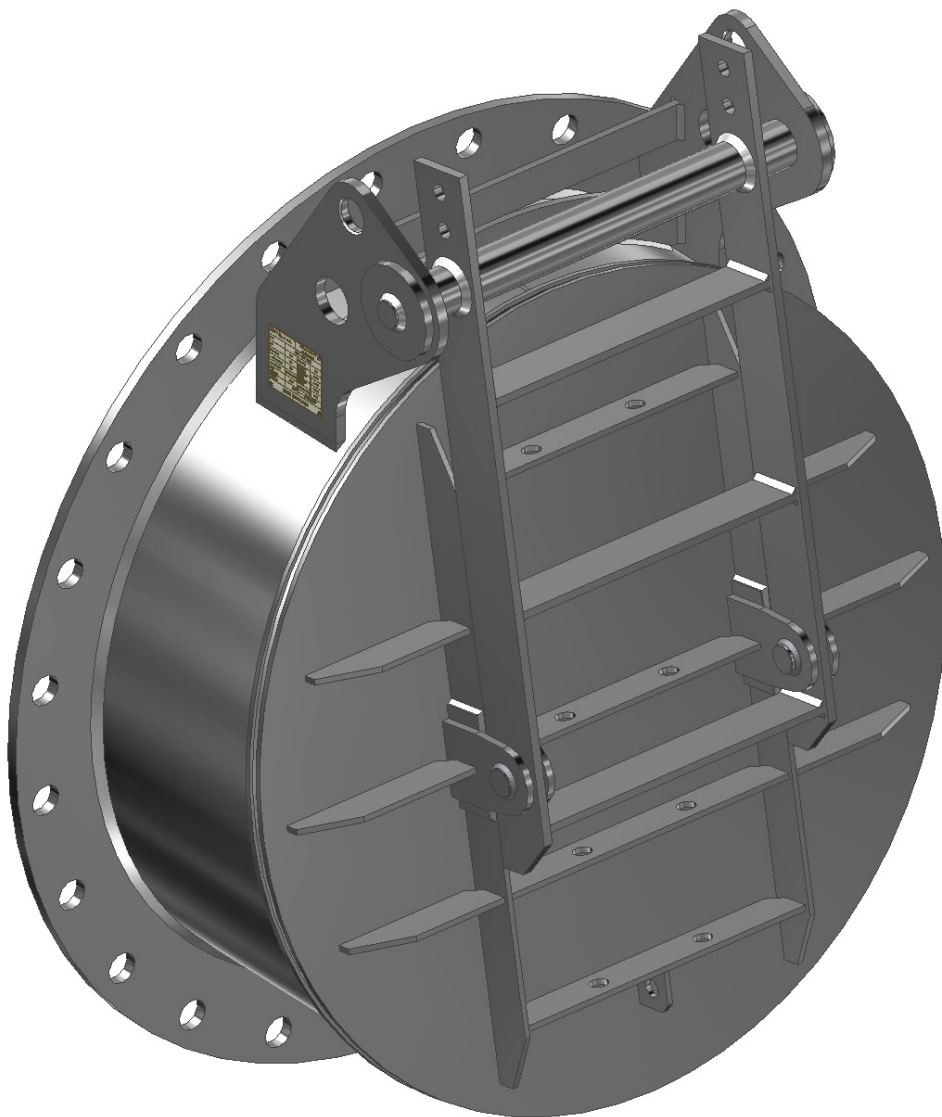


AFT-CV DN150 - DN1600



Non-return check valve

Technical description

Non-return valve for pipe end use

Applications

- hydro-technical installations
- dehydrating plants
- sewage treatment plants
- wastewater pumping stations
- rainwater drainage (for drainage ditches and natural watercourses)
- road and highway drainage

Product properties

Working pressure

max. 0,6 bar (head of water 6m)

Flange coupling

PN10 (acc. to EN1092-1)
other couplings on request

Temperature range

min. -40°C
max. 100°C (sealing EPDM)
max. 80°C (sealing NBR)

Body material

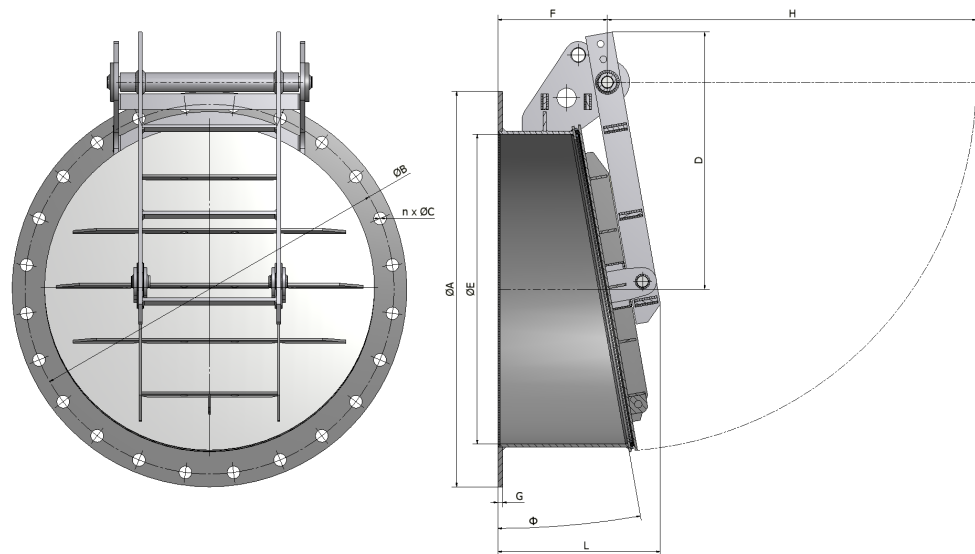
- constructional steel with anticorrosive coating
- stainless steel

Sealing material

EPDM, NBR

Mounting

- flange mounting
- wall mounting
- mounting with weld-on ends



DN	ØA	ØB	n	ØC	ØE	G	L	φ	D	F	H	Weight
	[mm]	[mm]	-	[mm]	[mm]	[mm]	[mm]	[°]	[mm]	[mm]	[mm]	[kg]
150	285	240	8	22	150	8	250	15	210	190	210	21
200	340	295	8	22	206	8	270	15	285	235	340	26
250	395	350	12	22	256	8	315	15	330	230	380	33
300	445	400	12	22	310	8	315	15	380	230	490	40
350	505	460	16	22	340	8	340	15	415	250	530	50
400	565	515	16	26	390	10	350	10	460	250	585	67
500	670	620	20	26	493	10	370	10	510	265	650	80
600	780	725	20	30	594	10	390	10	560	265	750	97
700	895	840	24	33	696	12	415	10	630	275	870	122
800	1016	950	24	33	796	12	440	10	660	280	950	146
900	1116	1050	28	33	894	12	440	10	740	280	1080	168
1000	1230	1160	28	36	996	16	520	10	795	340	1190	240
1200	1455	1380	32	39	1200	16	625	10	925	410	1435	345
1400	1675	1590	36	42	1390	20	680	10	1050	440	1620	450
1600	1915	1820	40	48	1590	20	710	10	1125	560	1800	540

Other drilling patterns on request

AFT Sp. z o.o.
ul. Zielna 1
62-002 Suchy Las · PL
tel. +48 61 820 51 45
fax +48 61 820 69 59
info@aft.pl
www.aft.pl